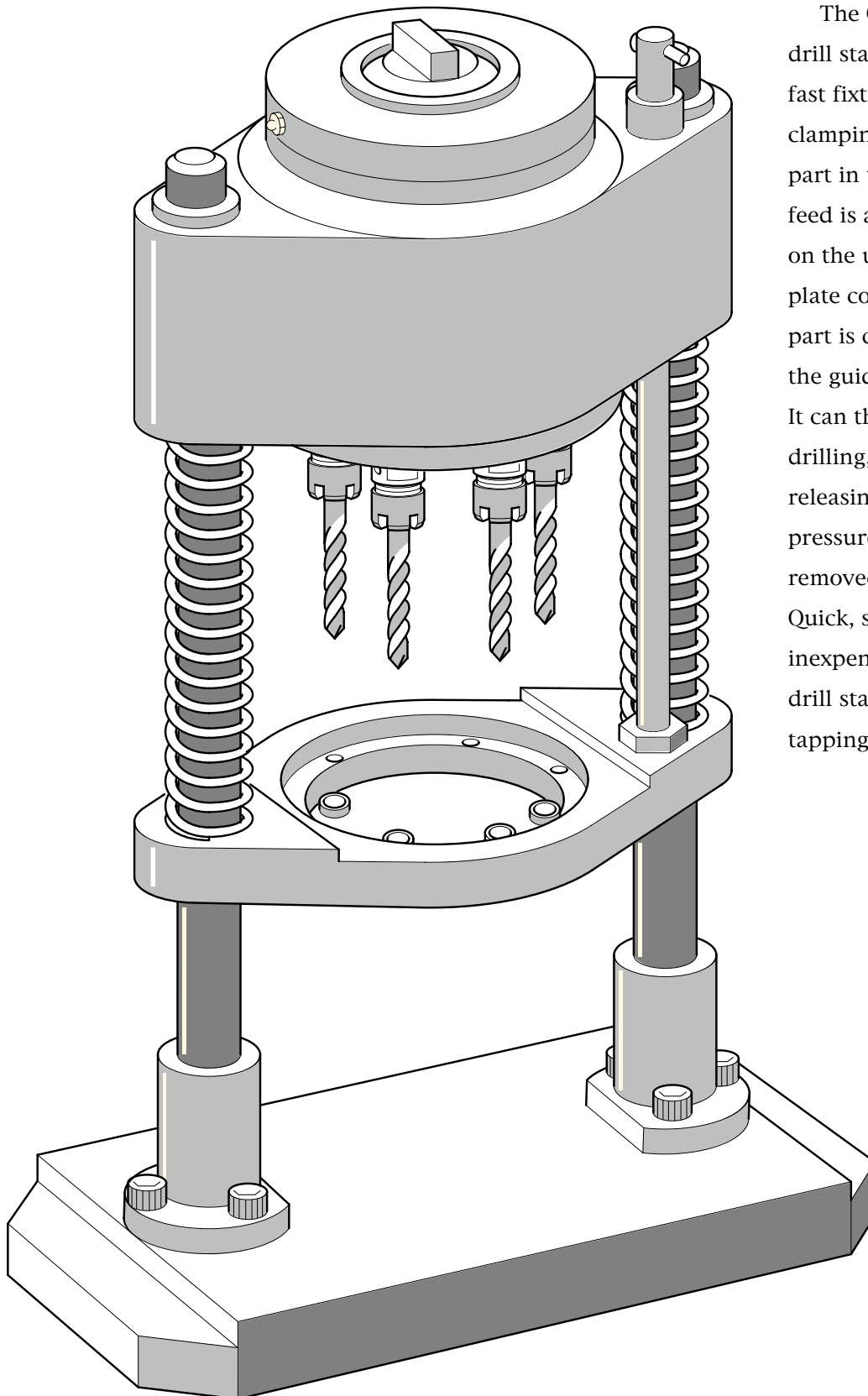


THE DRILL STAND



The Centreline self-clamping drill stand is the ideal tool for fast fixture loading and part clamping. After locating the part in the fixture, the machine feed is applied. The clamp pads on the underside of the bush plate contact the part and the part is clamped in position via the guide bar spring pressure. It can then be drilled. After drilling, the head retracts, releasing the clamping pressure and the part can be removed from the fixture. Quick, simple, easy to use and inexpensive, the Centreline drill stand can also be used for tapping.